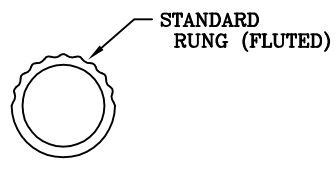
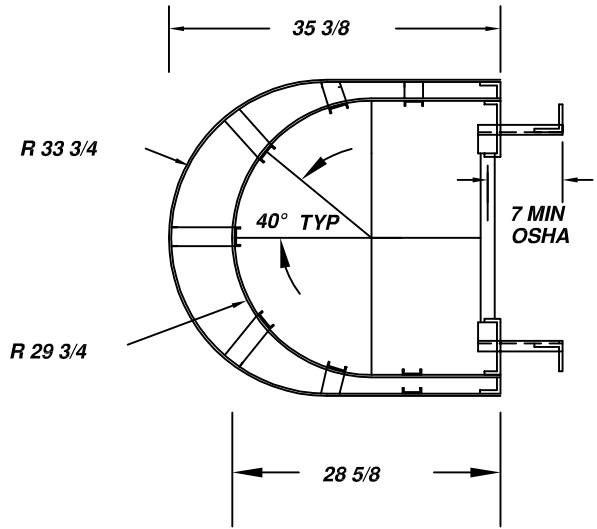
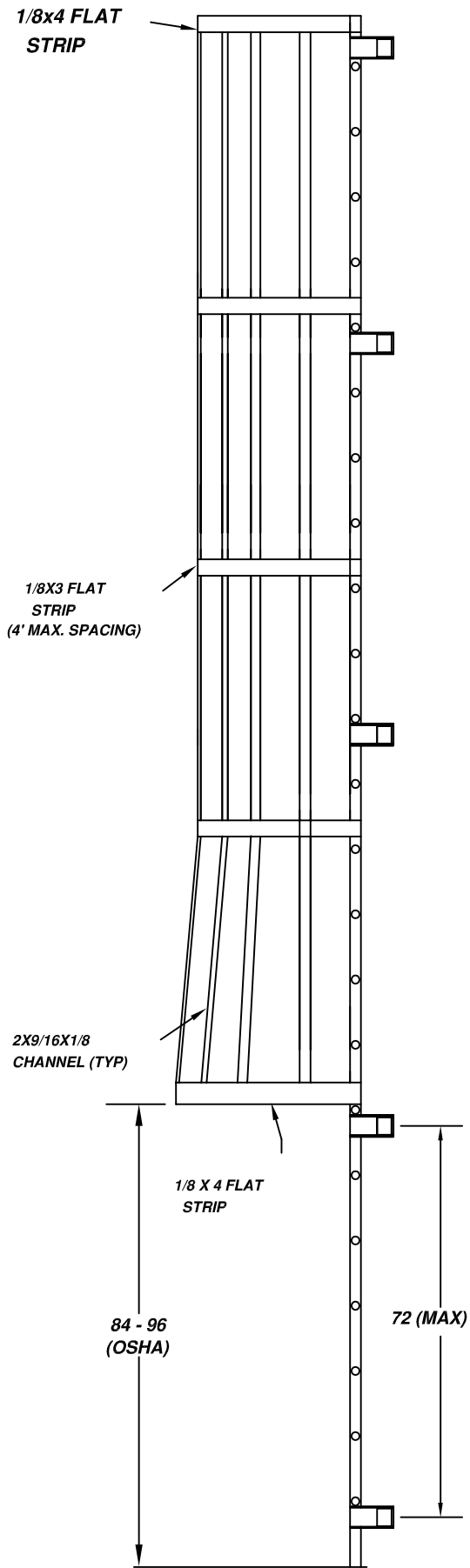


# TYPICAL FIBERGLASS LADDER DETAILS



(H.D.) 2X1/4 SQUARE TUBE  
(STD.) 1-3/4X1/4 SQUARE TUBE

(H.D.) GRIT SURFACE  
(STD.) FLUTED SURFACE

3/16 DIA 316 STAINLESS BLIND RIVET  
(2) PER RUNG (STD.)  
(4) PER RUNG (H.D.)

(H.D.) 1-1/2X1/8 ROUND TUBE  
(STD.) 1-1/4X1/8 ROUND TUBE

FOOT ANGLE  
x 2" BOLTED TO  
SQUARE TUBE

